

IE15 Advanced Engineering Design & Project Work

Part 1 Lessons + Part 2 References

Propose strategies to identify client needs.doc (46.66MB)

http://www.filefactory.com/file/mjrn3ig98bz/n/Propose_strategies_to_identify_client_needs.doc

SymbolG.zip (1.06MB)

<http://www.filefactory.com/file/1pulhw2rszrb/n/SymbolG.zip>

SymbolF.zip (1.36MB)

<http://www.filefactory.com/file/3oy9wn8twl7t/n/SymbolF.zip>

SymbolE.zip (1.17MB)

<http://www.filefactory.com/file/6uq6ieh6pcqf/n/SymbolE.zip>

SymbolD.zip (4.61MB)

<http://www.filefactory.com/file/7au0o543cx71/n/SymbolD.zip>

SymbolC.zip (1.28MB)

<http://www.filefactory.com/file/4hv4jtvcbft/n/SymbolC.zip>

SymbolB.zip (1.76MB)

<http://www.filefactory.com/file/2riu58oy9jrx/n/SymbolB.zip>

SymbolA.zip (1.18MB)

<http://www.filefactory.com/file/6unssu0un2yh/n/SymbolA.zip>

RiskManagement.pdf (0.55MB)

<http://www.filefactory.com/file/51jv84xfxch3/n/RiskManagement.pdf>

Research+Project+Client.doc (0.38MB)

<http://www.filefactory.com/file/3wsqfdg3dcd7/n/Research+Project+Client.doc>

Estimating3.zip (3.79MB)

<http://www.filefactory.com/file/1vqs4a2gawi3/n/Estimating3.zip>

Project Management Tutorial.doc (2.36MB)

http://www.filefactory.com/file/3z8duk61yevb/n/Project_Management_Tutorial.doc

Estimating1.zip (6.88MB)

<http://www.filefactory.com/file/4fby6spces31/n/Estimating1.zip>

Estimating2.zip (6.24MB)

<http://www.filefactory.com/file/7jg35n19wour/n/Estimating2.zip>

E071+MEM09004 Tutorial.doc (3.28MB)

http://www.filefactory.com/file/55jq1dsfcbfb/n/E071+MEM09004_Tutorial.doc

E071+MEM09004 Tutorial Mod.zip (0.65MB)

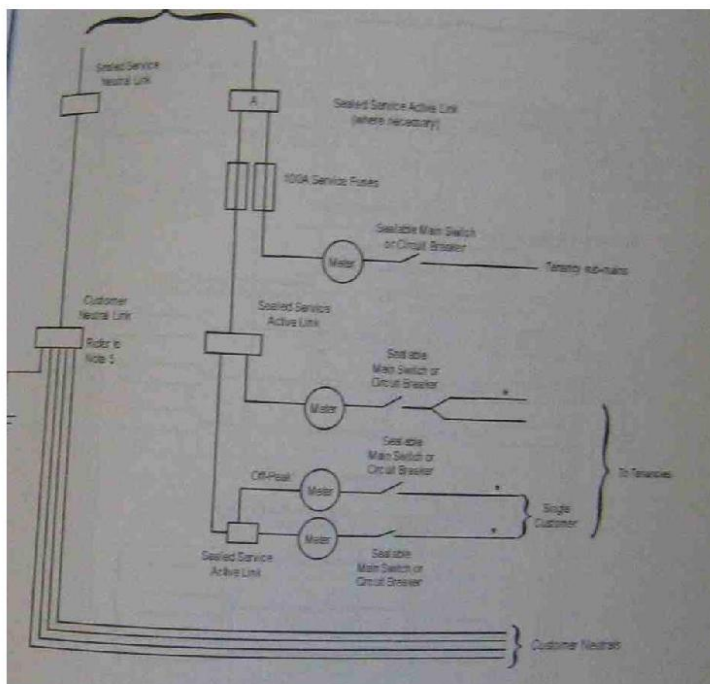
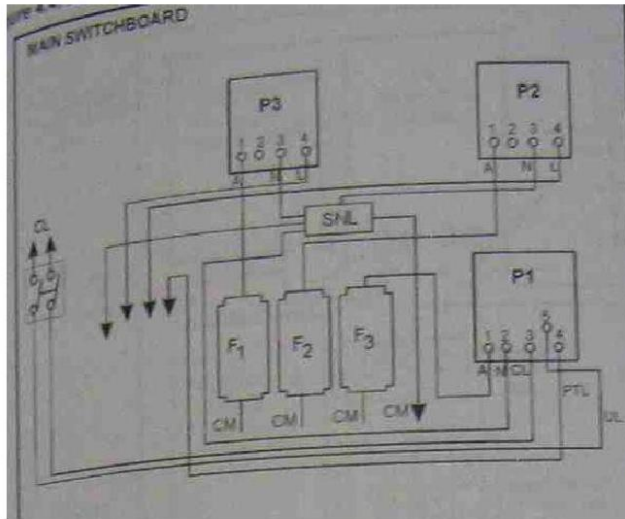
http://www.filefactory.com/file/3x8elm1nb1s1/n/E071+MEM09004_Tutorial_Mod.zip

E024+ProjectInstruction.zip (3.82MB)

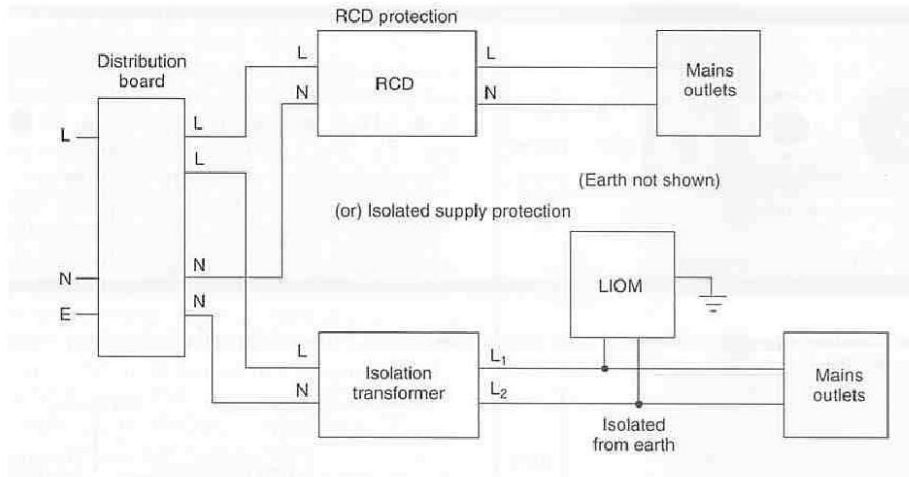
<http://www.filefactory.com/file/m7y3mbxfph7/n/E024+ProjectInstruction.zip>

Exercises

(Do not copy the given diagram, it is just a reference, you need to draw your own sketch by computer)



(3) Sketch the given circuit



(4)

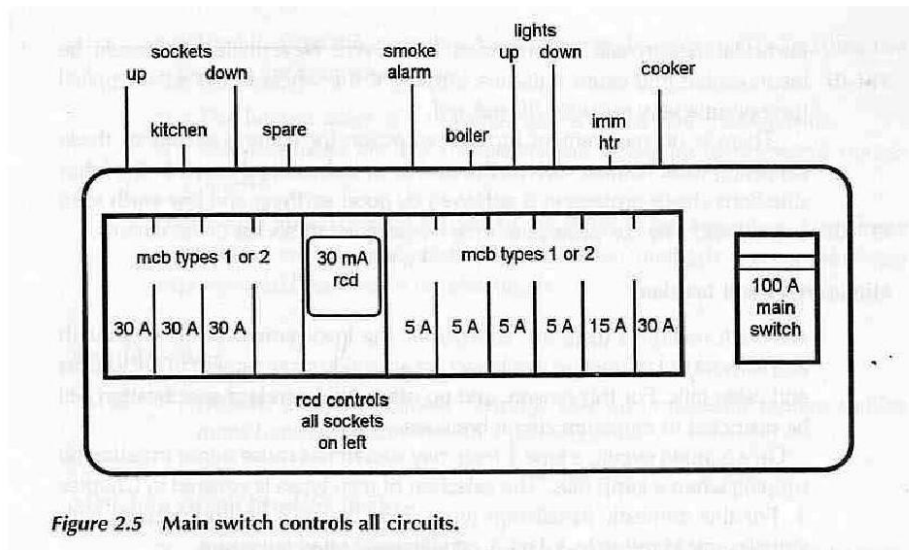
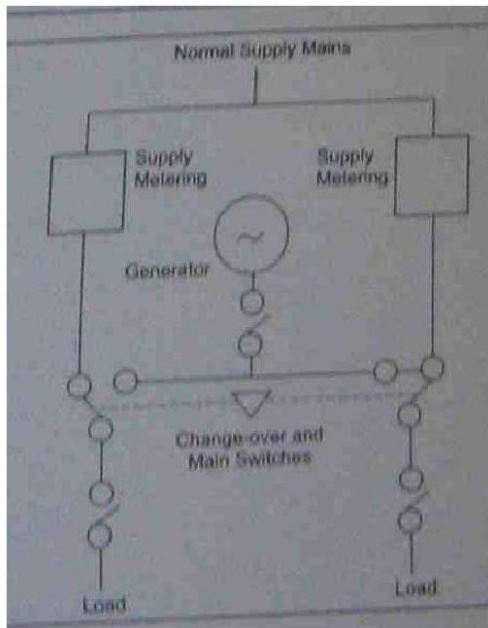


Figure 2.5 Main switch controls all circuits.

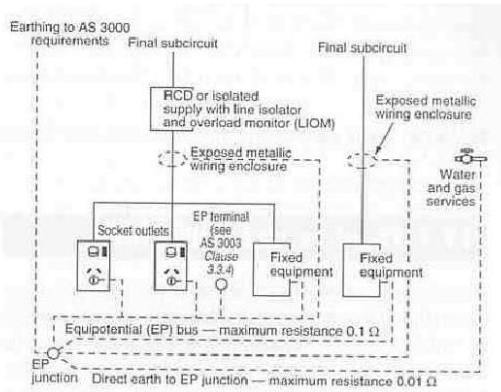
(5)



Reference: Specification (1)

(1) Write the important aspects of the specifications for electro medical equipments

(2) Draw the following circuits by computer



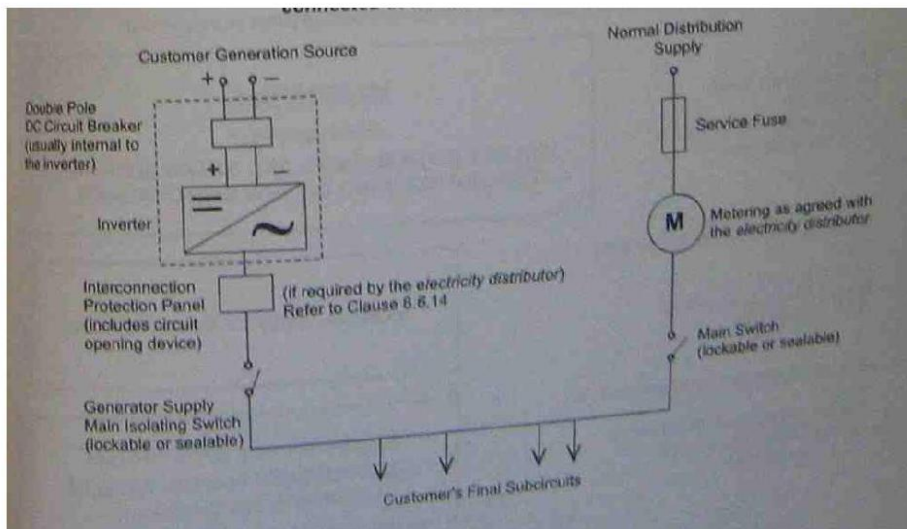
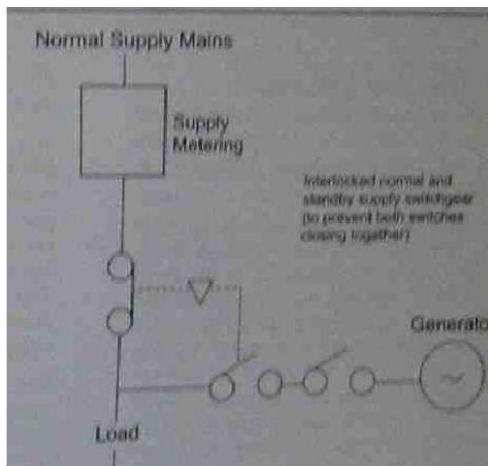
(2)Reference: Service Rule 3**Job (3)**

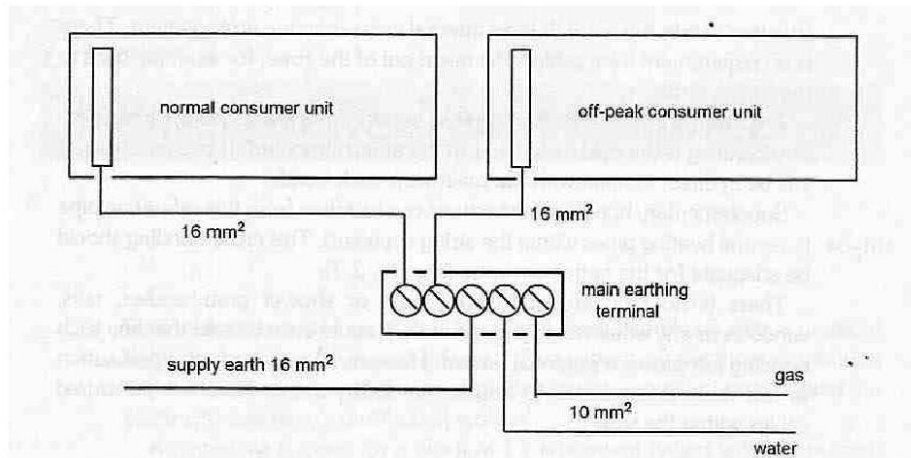
You need to install a stand by generating plan for a small factory.

Prepare the specifications and design diagram for the following aspects

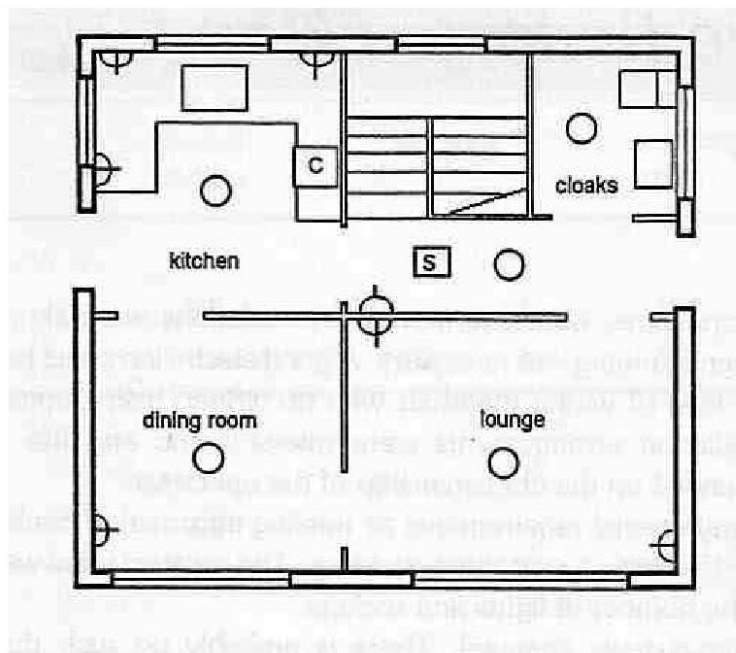
(1)Condition of use, (2)spacing for conductors, (3)change over equipments, (4)Operating procedure, (5)protection

Reference Diagram (Do not copy the given diagram, it is just a reference, you need to draw your own sketch by computer)

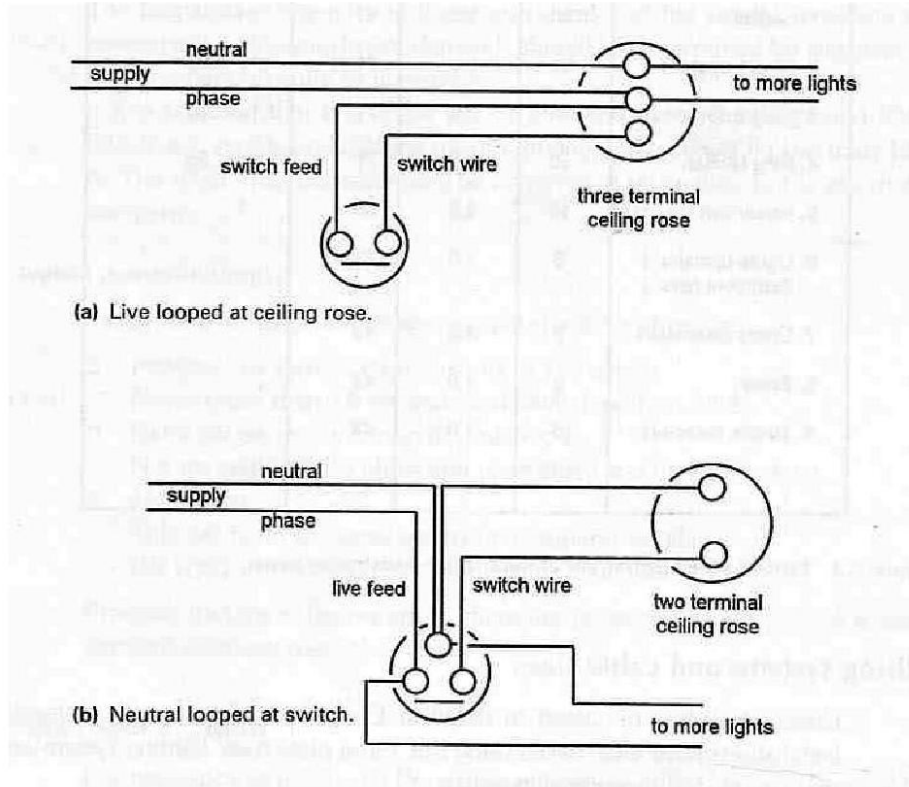




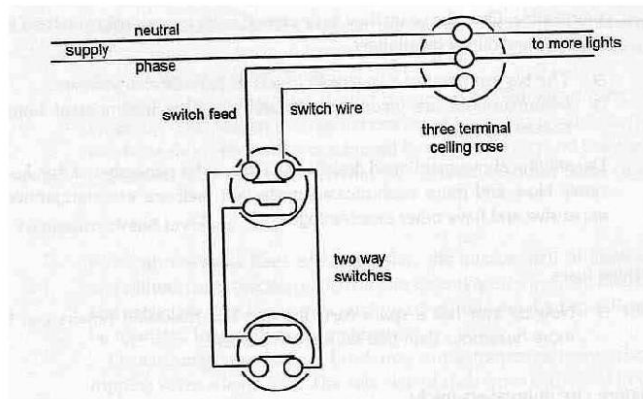
(6)



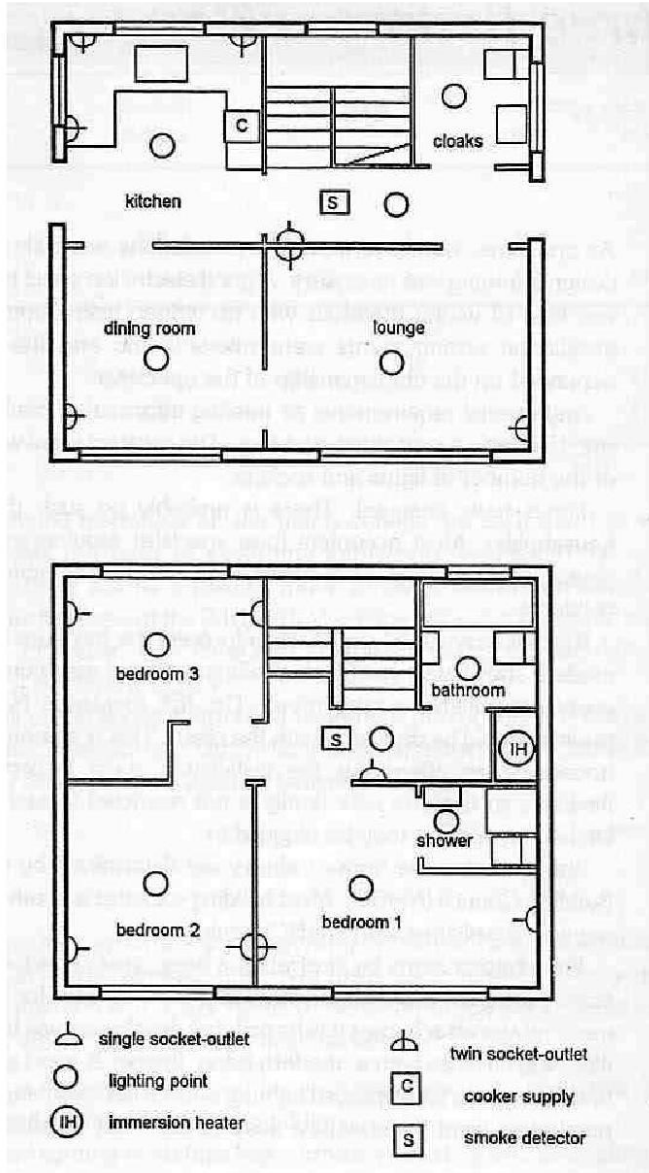
(7)



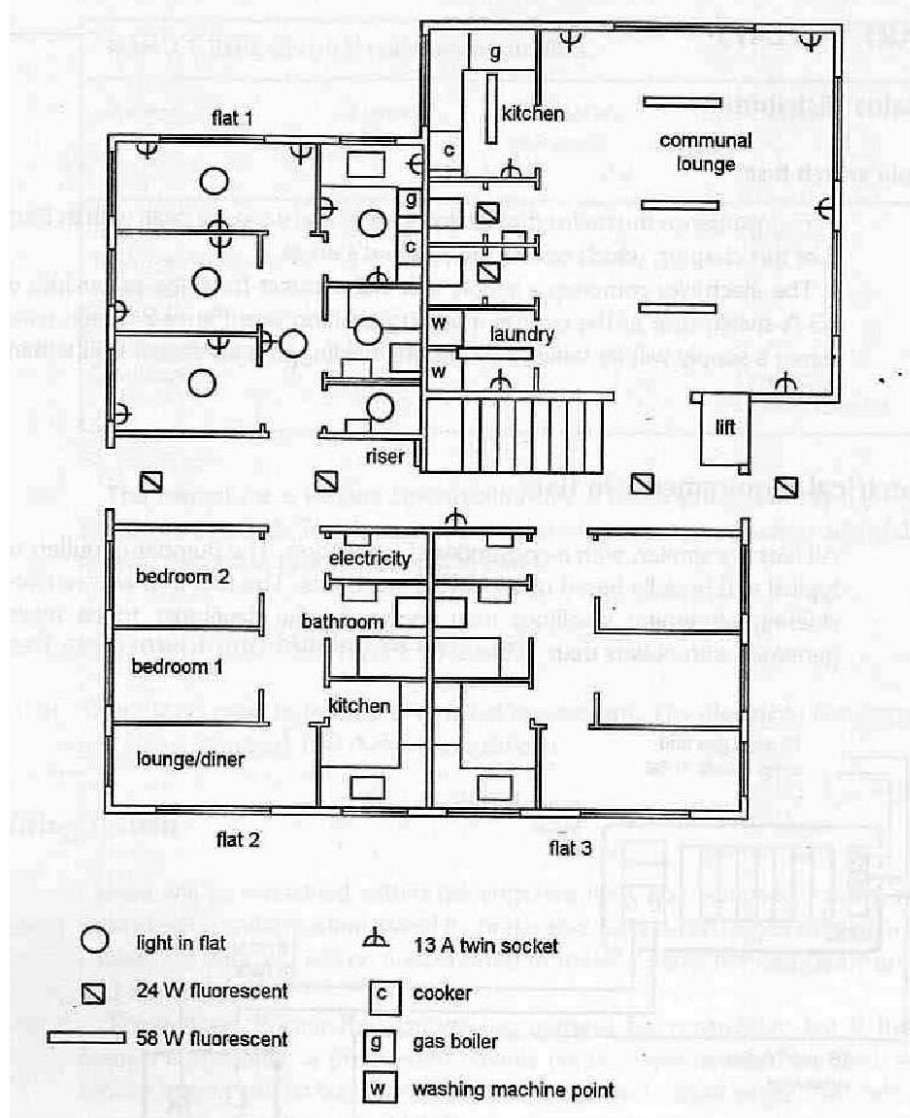
(8)



(9)



(10)



(11)

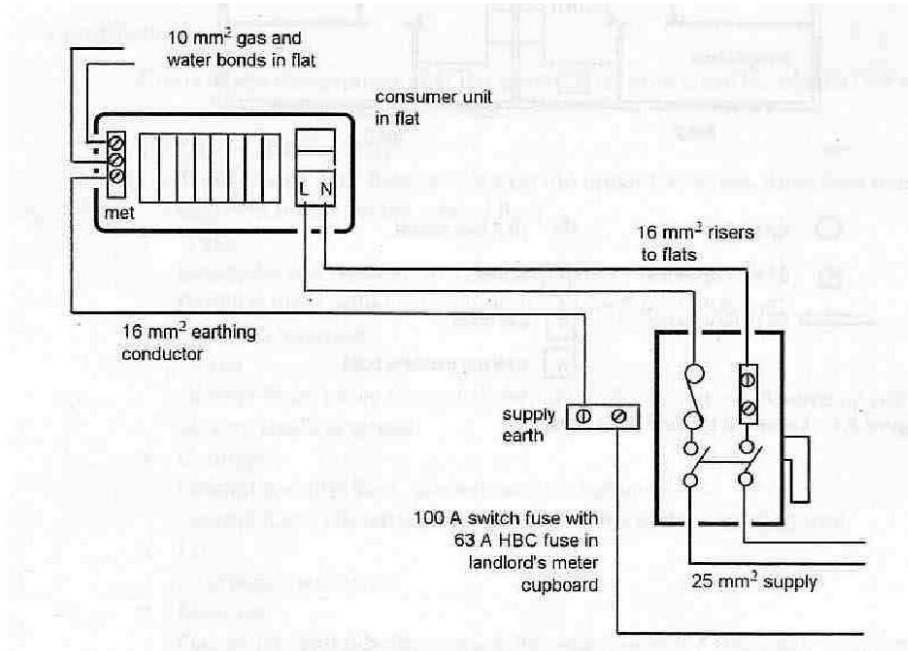


Figure 3.2 Distribution to flats.

(13)

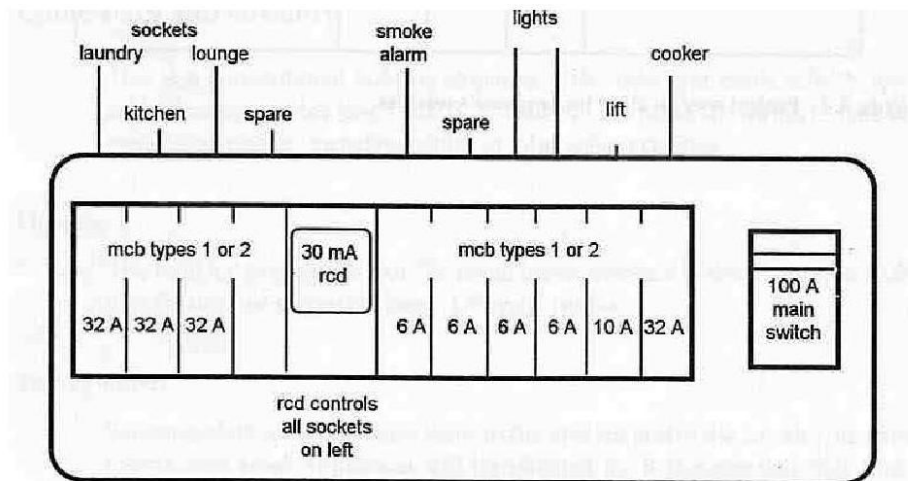


Figure 3.5 Landlord's distribution board.